



# Service Bulletin SB-0018

Technical Portions FAA Approved

Epic Aircraft, LLC ♦ 22590 Nelson Road ♦ Bend OR 97701  
Phone: 541-318-8849 ♦ Fax: 541-382-5125 ♦ Web: [www.epicaircraft.com](http://www.epicaircraft.com)

**Subject:** Left Circuit Breaker Panel Bus Bar Interference

**ATA-Code:** 24-60

**Labor:** 2.0 hours

**Effectivity:** K004– K010

**Affected Model(s):** E1000

**Due:** Next scheduled maintenance event.

**Compliance:** Mandatory

**Recurrence:** No

## 1 BACKGROUND AND PURPOSE:

On affected aircraft, it has been found that the connecting bus bar between the long (upper) and short (lower) essential bus bars on the left circuit breaker panel may be close to contacting structure, causing the potential of an electrical short.

This Service Bulletin contains instructions to install the connecting bus bar in a different orientation to prevent the possibility of an electrical short.

## 2 REFERENCES:

Epic E1000 Aircraft Maintenance Manual P/N SK05000000

## 3 WARRANTY:

For aircraft under warranty, parts and labor will be covered by Epic Aircraft, LLC if the work is performed within the compliance period and by a properly certificated Airframe and Power Plant mechanic or FAA approved repair station.

## 4 TOOLS:

No.	Description	Qty	Epic Aircraft Supplied	Customer Supplied
1.	Common hand tools.	AR	<input type="checkbox"/>	<input checked="" type="checkbox"/>

## 5 PARTS/MATERIALS:

No.	Part Number	Description	Qty	Epic Aircraft Supplied	Customer Supplied
1.	N/A			<input type="checkbox"/>	<input type="checkbox"/>

Issued	Revised	Revision	Page
06-17-2021	-	Original	Page 1 of 6



# Service Bulletin SB-0018

Technical Portions FAA Approved

Epic Aircraft, LLC ♦ 22590 Nelson Road ♦ Bend OR 97701  
Phone: 541-318-8849 ♦ Fax: 541-382-5125 ♦ Web: [www.epicaircraft.com](http://www.epicaircraft.com)

---

## 6 INSTRUCTIONS:

**A)** Set the BATT 1 and BATT 2 switches to OFF.

**B)** Remove all external electrical power from the airplane (refer to Epic E1000 Aircraft Maintenance Manual, PN SK05000000, chapter 24-40).

**WARNING: Make sure power is not applied to the airplane while this service bulletin is being performed. Serious injury may occur.**

**C)** Gain access to the left circuit breaker panel bus bars (refer to Figure 1).

**D)** Remove the nuts, washers spacers and screws that attach the connecting bus bar to the upper and lower essential bus bars (refer to Figure 2). Retain all hardware.

**E)** Remove the connecting bus bar.

**F)** Install the connecting bus bar to the upper and lower essential bus bars with the retained hardware (refer to Figure 3).

**G)** Connect external electrical power to the airplane (refer to Epic E1000 Aircraft Maintenance Manual, PN SK05000000, chapter 24-40).

**H)** Set the BATT 1 and BATT 2 switches to ON.

**I)** Make sure the instrument panel lights are operational to test the bus bar connection.

**J)** Set the BATT 1 and BATT 2 switches to OFF.

**K)** Remove all external electrical power from the airplane (refer to Epic E1000 Aircraft Maintenance Manual, PN SK05000000, chapter 24-40).

Issued	Revised	Revision	Page
06-17-2021	-	Original	Page 2 of 6

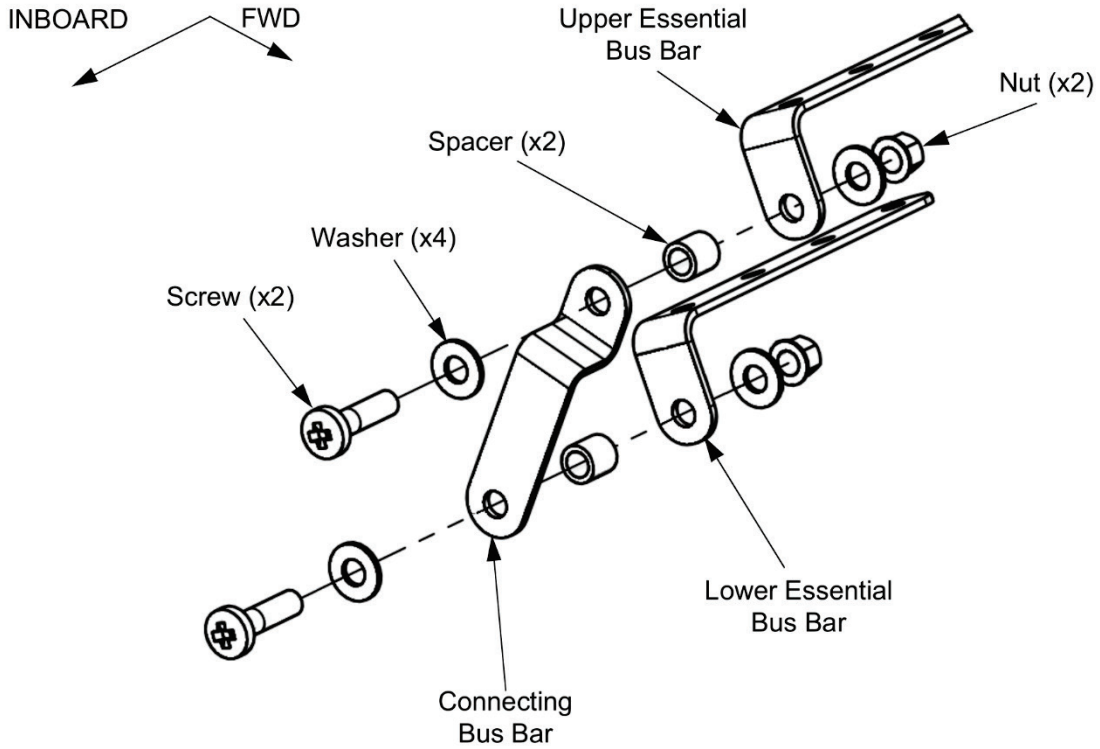


# Service Bulletin SB-0018

Technical Portions FAA Approved

Epic Aircraft, LLC ♦ 22590 Nelson Road ♦ Bend OR 97701  
 Phone: 541-318-8849 ♦ Fax: 541-382-5125 ♦ Web: [www.epicaircraft.com](http://www.epicaircraft.com)

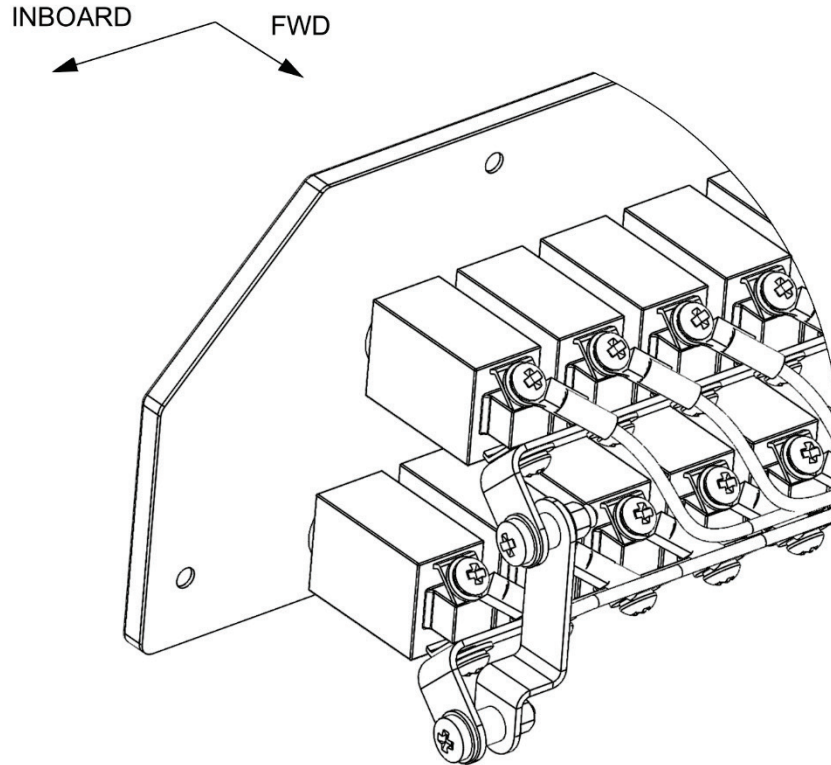
**Figure 1:** Left Circuit Breaker Panel Bus Bar Interference



Before modification, shown exploded for clarity. Reinstall as shown in Figure 2.

Issued	Revised	Revision	Page
06-17-2021	-	Original	Page 3 of 6

**Figure 2:** Left Circuit Breaker Panel Bus Bar Interference



Shown after modification.

Issued	Revised	Revision	Page
06-17-2021	-	Original	Page 4 of 6



# Service Bulletin SB-0018

Technical Portions FAA Approved

Epic Aircraft, LLC ♦ 22590 Nelson Road ♦ Bend OR 97701  
Phone: 541-318-8849 ♦ Fax: 541-382-5125 ♦ Web: [www.epicaircraft.com](http://www.epicaircraft.com)

---

## 7 WEIGHT AND BALANCE:

Negligible

## 8 PUBLICATIONS AFFECTED:

Epic E1000 Aircraft Maintenance Manual P/N SK05000000

## 9 RECORD COMPLIANCE:

Make appropriate entry in airplane maintenance records.

Issued	Revised	Revision	Page
06-17-2021	-	Original	Page 5 of 6



# Service Bulletin SB-0018

Technical Portions FAA Approved

Epic Aircraft, LLC ♦ 22590 Nelson Road ♦ Bend OR 97701  
Phone: 541-318-8849 ♦ Fax: 541-382-5125 ♦ Web: [www.epicaircraft.com](http://www.epicaircraft.com)

## Appendix A: Compliance Letter

*Please complete and mail this form to [Customersupport@epicaircraft.com](mailto:Customersupport@epicaircraft.com)*

This is to certify that I have completed the work in accordance with the Epic Aircraft, LLC Service Bulletin.

<b>Aircraft Owner Information:</b>
Date: _____ Aircraft Serial Number: _____ Aircraft Reg. Number: _____ Owner's Name: _____
<b>Maintenance Entity Information</b>
Name of Shop Performing the work: _____ Name of Person(s) Performing inspection and/or work: _____ Phone Number: _____ Email: _____

Issued	Revised	Revision	Page
06-17-2021	-	Original	Page 6 of 6